

Part number

CKAX 03 IAPS



Brief description:

angled bulkhead housings with single lever, size "21.21", with threaded entry, Pg11, metal version, IP44, IP66/IP67 degree of protection with CKR 65 kit or CKR 65 D kit.

Product description

Version	Metallic type
Series	Angled mounting housings with 1 lever
Product type	with stainless steel lever
Variant	with threaded entry
Family	CKA metal enclosures
Size	size "21.21"


Technical data

Operating temperature range (min, max)	-40°C ... +125°C
Material	metal
IP degree of protection	IP44 (IP66/IP67 with CKR 65/CKR 65 D kits)
Cable entry	Pg11

Further technical details

Weight	37,00 g
---------------	---------

Approvals / Standards

Quality mark	UL type: 12, (type 4/4X only with kit CKR 65 or CKR 65 D),  , EAC
Conformity	CQC, CE

General ordering information

EAN13 code	8015747027571
Tariff number	85369095

Packaging Information

Packaging length	360,00 mm
Packaging height	170,00 mm
Packaging width	305,00 mm
Packaging weight	3,70 kg
Packaging volume	18,67 dm ³
Packaging description	Carton box
Packaging quantity	100 Pcs
Packaging EAN code	8015747233866
Sub-packaging length	140,00 mm
Sub-packaging height	66,00 mm
Sub-packaging width	150,00 mm
Sub-packaging weight	0,37 kg
Sub-packaging volume	1,39 dm ³
Sub-packaging description	Carton Box
Sub-packaging quantity	10 Pcs
Sub-packaging EAN barcode	8015747027588

Part number

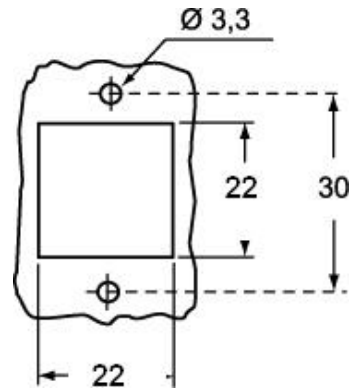
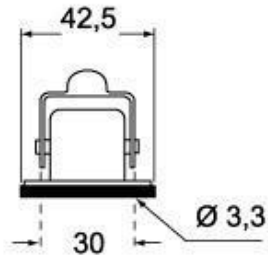
CKAX 03 IAPS



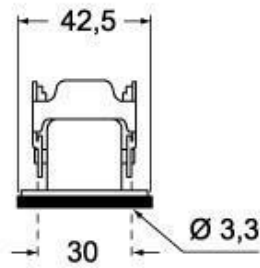
Catalogue drawings

Catalogue drawings

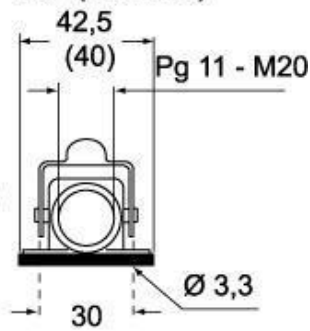
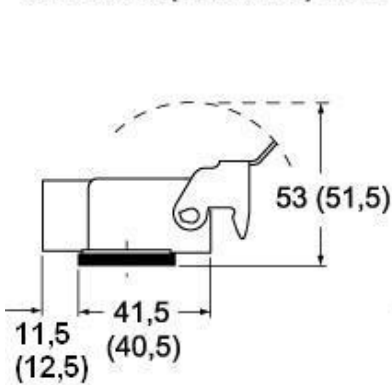
CKA IA



CKAX IA



CKA IAPS (CKA APS) MKA - IAP (MKA AP)



CKAX IAPS (CKAX APS) - MKAX IAP (MKAX AP)

